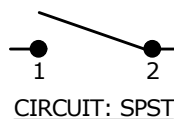


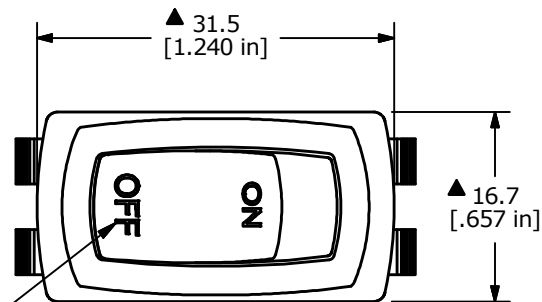
PANEL CUT-OUT

SWITCH FUNCTION	
POS. 1	POS. 2
OFF	ON
NONE	1-2



NOTES:

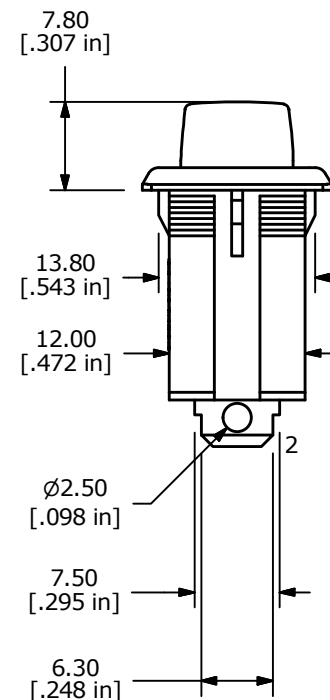
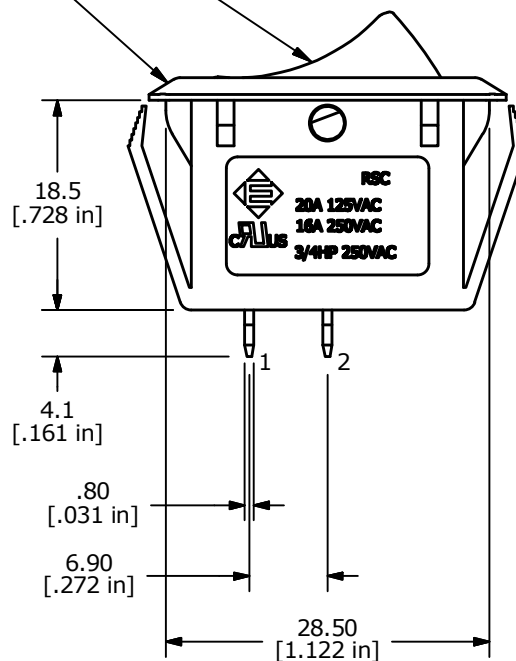
1. ALL DIMENSIONS IN MM [INCH]
2. GENERAL TOLERANCE: X.X = ±0.4
X.XX = ±0.25
3. TERM. NOS. FOR REF. ONLY
- ▲ 4. RATING: 20A 125VAC [cURus]
16A 250VAC [cURus]
1/3HP 125/250VAC [cURus]
3/4HP 125/250VAC [cURus]
16(4)A 250V~ 1E4 T85/55 [ENEC, VDE]
20(8)A 250V~ 1E4 T125/55 [ENEC, VDE]
10(2)A 250V~ 5E4 T85/55 [ENEC, VDE]
5. ELECTRICAL LIFE: 10,000 CYCLES MIN.
6. CONTACT RESISTANCE: 20 mΩ MAX.
7. OPERATING TEMP: -20°C TO 65°C [cURus]
-20°C TO 105°C [cURus]
0°C TO 85°C [ENEC, VDE]
0°C TO 125°C [ENEC, VDE]
8. DIELECTRIC STRENGTH: >1,000V AC 1MIN
9. INSULATION RESISTANCE: 100 MΩ @ 500VDC
10. ▲ DENOTES CRITICAL PARAMETER.
11. 2011/65/EU (ROHS) COMPLIANT.



▲ GRAPHIC COLOR: WHITE

▲ ACTUATOR COLOR: BLACK

▲ HOUSING COLOR: BLACK



B	23173	UPDATED RATINGS	1/19/18	MJR
A	22690	NEW RELEASE	2/6/17	MJR
REV	PCR NO	DESCRIPTION	DATE	BY

TITLE RSC1C1D1123				
SCALE	DATE	DR	DWG	REV
3:2	2/6/2017	MJR	14-RSC1C1D1123	B

THE INFORMATION CONTAINED IN THIS DOCUMENT IS PROPRIETARY TO E-SWITCH AND IS NOT TO BE COPIED OR TRANSFERRED